

## Silicon NPN Power Transistors

2SC3679

## DESCRIPTION

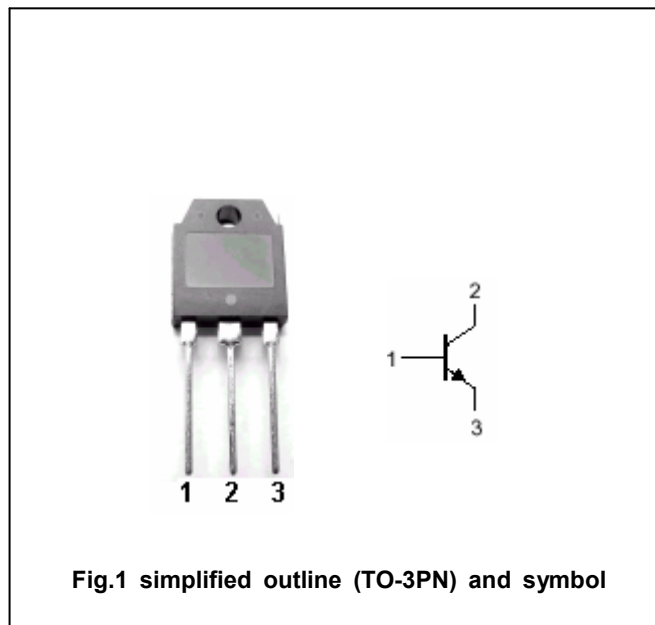
- With TO-3PN package
- High voltage switching transistor

## APPLICATIONS

- For switching regulator and general purpose applications

## PINNING

PIN	DESCRIPTION
1	Base
2	Collector;connected to mounting base
3	Emitter



## Absolute maximum ratings (Ta=25℃)

SYMBOL	PARAMETER	CONDITIONS	VALUE	UNIT
$V_{CBO}$	Collector-base voltage	Open emitter	900	V
$V_{CEO}$	Collector-emitter voltage	Open base	800	V
$V_{EBO}$	Emitter-base voltage	Open collector	7	V
$I_C$	Collector current (DC)		5	A
$I_{CM}$	Collector current -peak		10	A
$I_B$	Base current (DC)		2.5	A
$P_C$	Collector power dissipation	$T_C=25^\circ\text{C}$	100	W
$T_j$	Junction temperature		150	℃
$T_{stg}$	Storage temperature		-55~150	℃

## Silicon NPN Power Transistors

## 2SC3679

## CHARACTERISTICS

T<sub>j</sub>=25°C unless otherwise specified

SYMBOL	PARAMETER	CONDITIONS	MIN	TYP.	MAX	UNIT
V <sub>(BR)CEO</sub>	Collector-emitter breakdown voltage	I <sub>C</sub> =10mA ; I <sub>B</sub> =0	800			V
V <sub>CEsat</sub>	Collector-emitter saturation voltage	I <sub>C</sub> =2A; I <sub>B</sub> =0.4A			0.5	V
V <sub>BEsat</sub>	Base-emitter saturation voltage	I <sub>C</sub> =2A ; I <sub>B</sub> =0.4A			1.2	V
I <sub>CBO</sub>	Collector cut-off current	V <sub>CB</sub> =800V ; I <sub>E</sub> =0			0.1	mA
I <sub>EBO</sub>	Emitter cut-off current	V <sub>EB</sub> =7V; I <sub>C</sub> =0			0.1	mA
h <sub>FE</sub>	DC current gain	I <sub>C</sub> =2A ; V <sub>CE</sub> =4V	10		30	
f <sub>T</sub>	Transition frequency	I <sub>C</sub> =0.5A ; V <sub>CE</sub> =12V		6		MHz
C <sub>OB</sub>	Collector output capacitance	f=1MHz; V <sub>CB</sub> =10V		75		pF

## Switching times

t <sub>on</sub>	Turn-on time	I <sub>C</sub> =2.0A I <sub>B1</sub> =0.3A, I <sub>B2</sub> =-1A V <sub>CC</sub> =250V, R <sub>L</sub> =125Ω			1.0	μs
t <sub>s</sub>	Storage time				5.0	μs
t <sub>f</sub>	Fall time				1.0	μs

Silicon NPN Power Transistors

2SC3679

PACKAGE OUTLINE

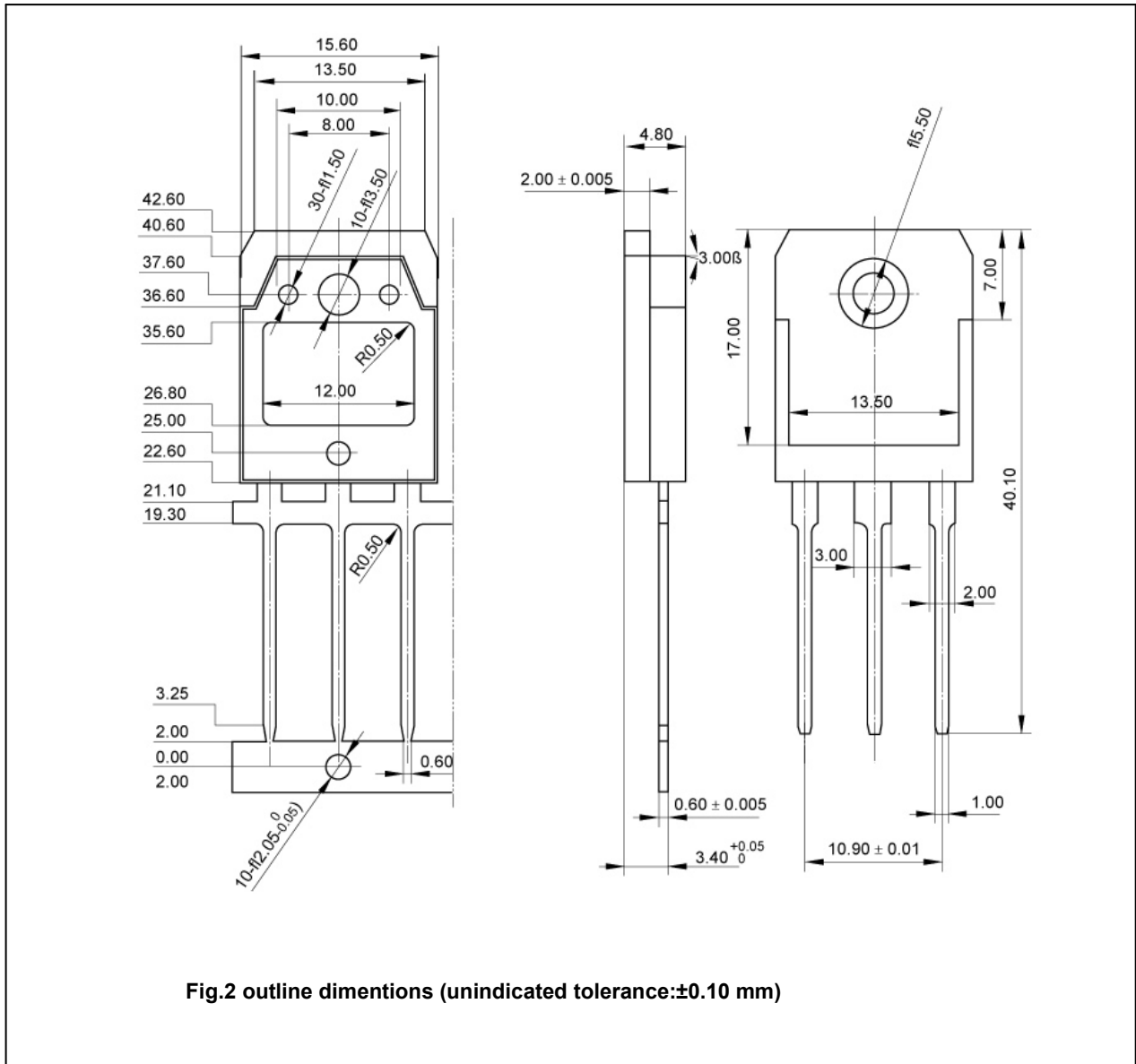


Fig.2 outline dimintions (unindicated tolerance:±0.10 mm)

Silicon NPN Power Transistors

2SC3679

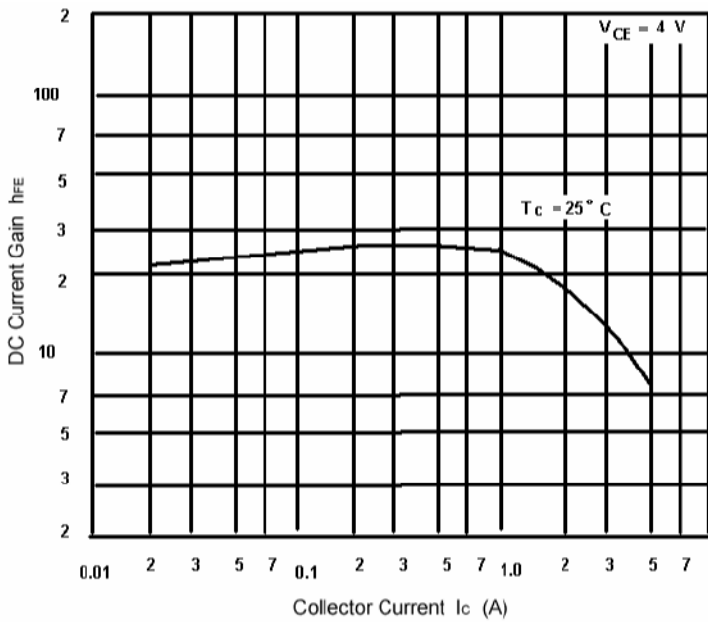


Fig.3 DC current Gain

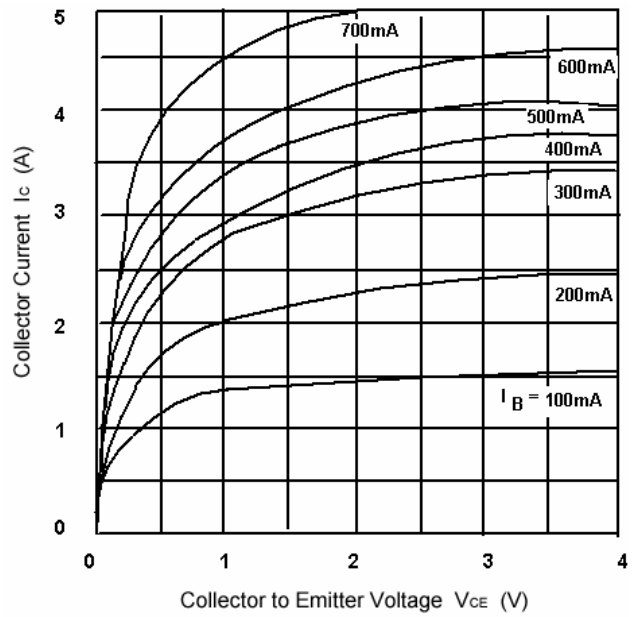


Fig.4 Static Characteristic

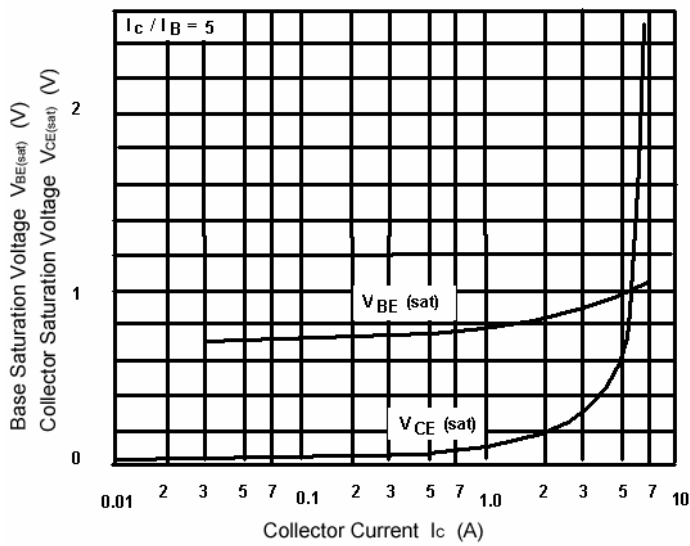


Fig.5 Base-Emitter Saturation Voltage  
Collector-Emitter Saturation Voltage

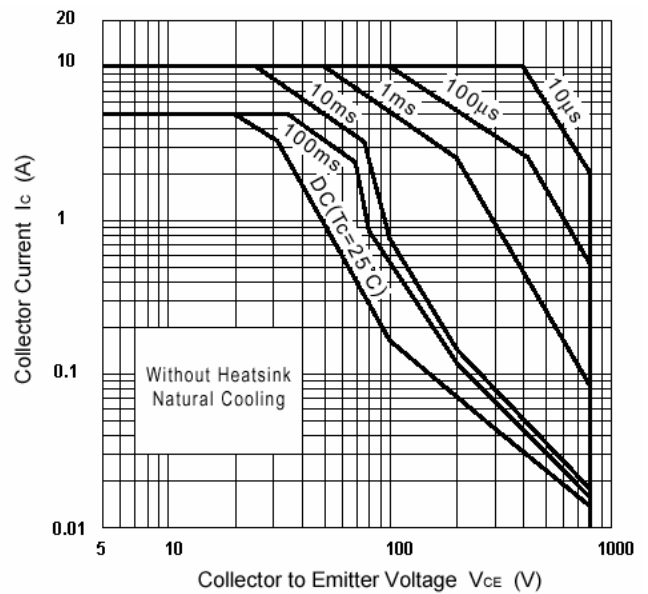


Fig.6 Safe Operating Area